

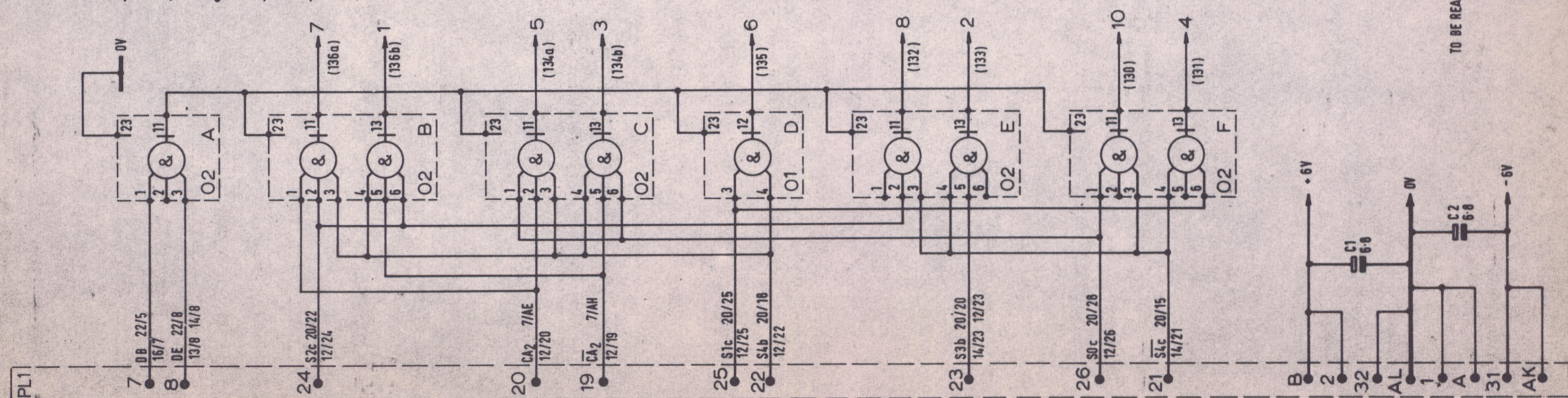
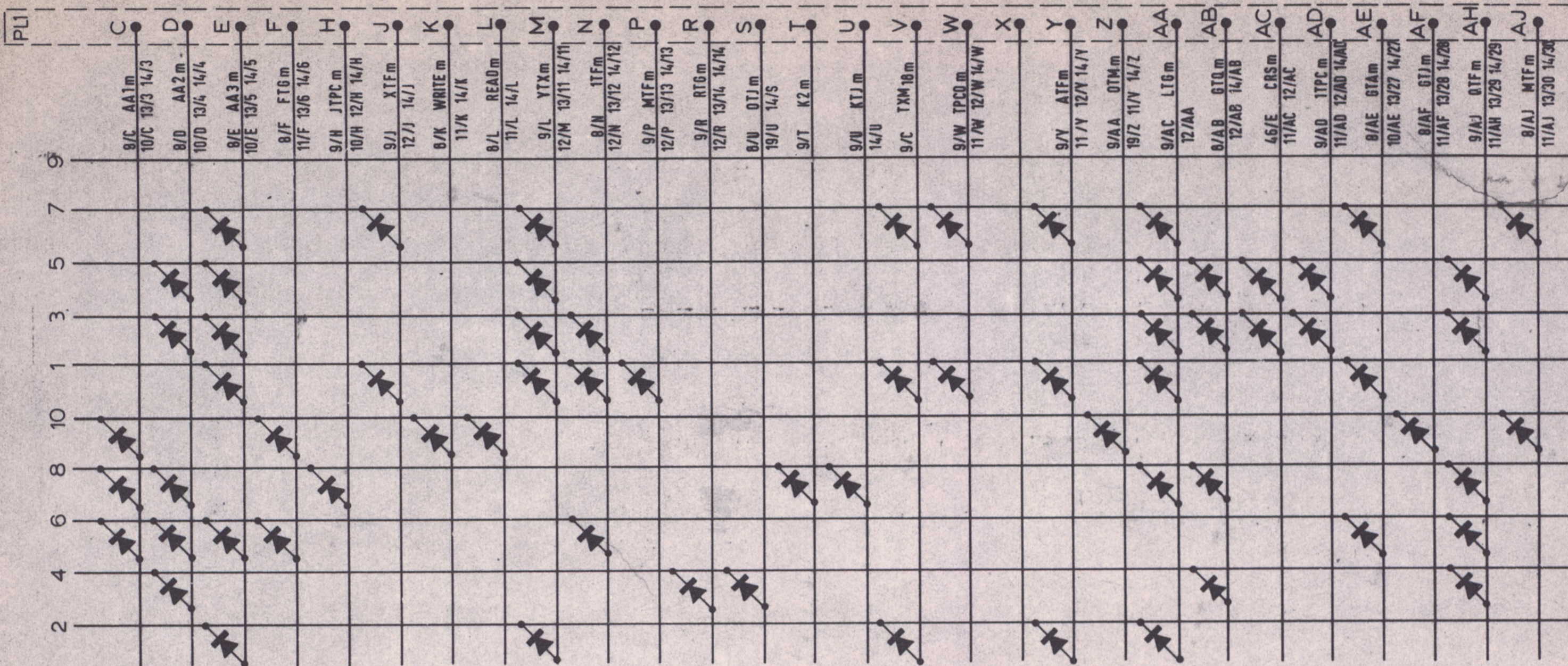
322 C 5204

THIRD ANGLE PROJECTION

DIMENSIONS IN INCHES UNLESS OTHERWISE STATED

DO NOT SCALE DRAWING

USED ON
C4072



TO BE READ IN CONJUNCTION WITH 322A7191
 TITLE: BOARD A-GG POS. 13
 CONTROL MATRIX
 FUNCTION 13

33

LATEST MI INCORPORATED MI... 2133

2998

ISSUE No.	1
ALTERATION No.	1740
DATE	14.7.66
INITIALS	L.J.E
PARTS LIST No.	
DRAWN	C.J. EVERETT
CHECKED	CS 636
APPROVED	Scars
DATE	7-11-66

MATERIAL

FINISH

ELLIOTT BROTHERS (LONDON) LTD

© Elliott Brothers (London) Limited
 THIS DRAWING IS THE PROPERTY OF
 ELLIOTT BROTHERS (LONDON) LIMITED
 AND MAY NOT BE COPIED, REPRODUCED OR
 OTHERWISE USED IN ANY MANNER WITHOUT THE
 WRITTEN PERMISSION OF ELLIOTT
 BROTHERS (LONDON) LIMITED

TOLERANCES
 LINEAR
 UNMACHINED SURFACES ±
 MACHINED SURFACES ±
 ANGULAR DIMENSIONS ±
 UNLESS OTHERWISE STATED

TITLE
 BOARD A-GG POS. 13
 CONTROL MATRIX
 FUNCTION 13

SCALE
 DRAWING No.
 322 C5204